

## Features

- Universal input 100~240VAC
- Direct Euro Fixed Plugtop Adapters
- Approved to TUV-GS, CE, RoHS & REACH
- Safety standards to UL/IEC 62368-1
- Meets Efficiency Level VI
- EMC FCC Class B Certified
- Single Output 5~12V DC
- OVP, OCP, OTP, SCP



Ideal Power's 15DYS806-xyS-3 7.5W AC/DC External Adapter EURO Plugtop Power Supply (PSU) Series are certified to TUV-GS, CE, RoHS, REACH & EN 62368-1/IEC 62368-1 Standards and comply with (EU) 2019/1782, Level VI Efficiency Regulations. These are primarily used in ITE, Audio & Video Industries and customised solutions are available upon request.

### Models

Model Number	Output Voltage	Output Current	Output Power
15DYS806-050150S-3	5VDC	1.5A	7.5W
15DYS806-060125S-3	6VDC	1.25A	7.5W
15DYS806-075100S-3	7.5VDC	1A	7.5W
15DYS806-090083S-3	9VDC	0.83A	7.5W
15DYS806-120062S-3	12VDC	0.62A	7.5W

### Input Data

	Min	Typical	Max	Units	Notes
Input Voltage	90	--	264	V AC	100-240VAC +/- 10%
Input Frequency	47	--	63	Hz	50-60Hz +/- 5%
Input Current	--	0.3	--	A	
Inrush Current	0	--	60	A	At cold start, 100 / 240V AC
Leakage Current	--	--	0.25	mA	

### Output Data

	Min	Typical	Max	Units	Notes
Output Voltage	--	5	--	%	
Ripple & Noise	--	--	150	mVp	
Over Current Protection	Typically, 115-135% of Rated Current				
Short Circuit Protection	Continuous short circuit proof. Will recover if fault condition is removed				
Over Voltage Protection	Will recover if fault condition is removed				

**Environmental Data**

	Min	Typical	Max	Units	Notes
Operating Temperature	0	--	+45	°C	10%RH to 90%RH
Storage Temperature	-20	--	+80	°C	5%RH to 95%RH non-condensing

**Other Information**

	Min	Typical	Max	Units	Notes
Dielectric Strength	--	--	--	--	Primary to Secondary: 4242VDC or 3000VAC / 5mA Max / 60 second (3 seconds for mass production)
MTBF	--	50,000	--	hrs	At 80% load and 25°C
Weight					200 +/-10g
Dimensions					Refer to mechanical drawings

**EMC Emissions (2014/30/EU)**

	Standard	Test Level	Criteria	Notes
Conducted	EN 55032	Pass	B	EMC Directive 2014/30/EU
Radiated	EN 55032	Pass	B	
Harmonic Standard	EN 61000-3-2	N/A	A	
Voltage Fluctuation and Flicker	EN61000-3-3			Pass

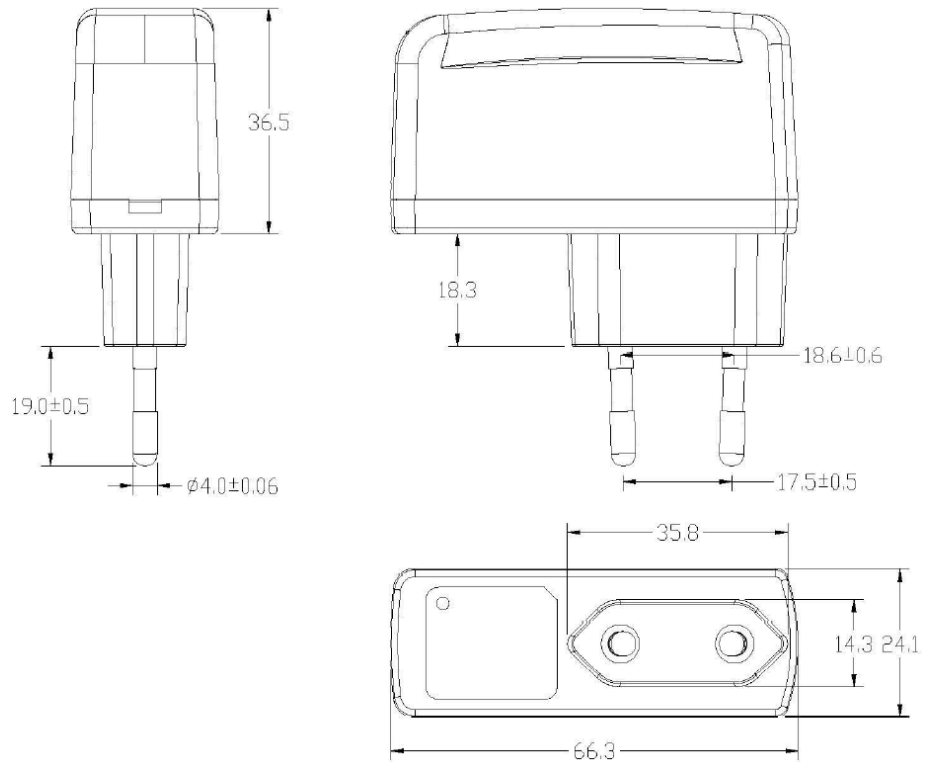
**EMC Immunity (2014/30/EU)**

Test Item	Standard	Test Method	Test Level		Result
			Contract	Air	
Electrostatic Discharge Immunity (ESD)	EN 55035:2017	EN 61000-4-2:2009	Contract	+4kV +8kV	Pass
Continuous RF electromagnet field Disturbance's immunity (80MHz to 5 GHz swept test and spot test)	EN 55035:2017	EN 61000-4-2:2006 +A1: 2008 +A2:2010	3V/m 80% 1kHz AM		Pass
Electrical Fast Transient (EFT) on AC	EN 55035:2017	EN 61000-4-2:2012	AC	+1.0kV	Pass
Surge immunity on AC mains	EN 55035:2017	EN 61000-4-2:2014 +A1:2017	+1.0kV +2.0kV	DM CM	Pass
Surge immunity on Signal port	EN 55035:2017	EN 61000-4-2:2014 +A1:2017	+1.0kV	CM	N/A
Continuous induced RF disturbance (150Hz to 80MHz)	EN 55035:2017	EN 61000-4-6:2014	3Vrms (emf), 80%, 1kHz, Amp, Mod		Pass
Power Frequency Magnetic Field	EN 55035:2017	N/A	50 HZ 1A/m		N/A
Voltage dips and interruptions on AC	EN 55035:2017	EN 61000-4-11:2017	0%U <sub>T</sub> *for 0.5per 0%U <sub>T</sub> * for250per70%U <sub>T</sub> *for25per		Pass

**Safety Approvals**

Safety Standards	
RoHS/REACH	RoHS Directive (EU) 2015/863 & REACH (205 SVHC)
CE LVD Directive 2014/35/EU	(UK/European) – Only applicable for UK & EURO plugs.
cULus	Only applicable for US plug.
TUV	(German/European) – Only applicable for EURO plug.
RCM & C-Tick	Only applicable for Australian plug.

**Mechanical Drawing**



**IP IDEALPOWER**  
 AC-DC ADAPTER  
 P/N: DYS806-090040-20A20D  
 MODEL: DYS806-090040S-3  
 INPUT: 100-240V-50/60Hz  
 0.3A MAX  
 OUTPUT: 9.0V = 0.4A, 3.6W

www.idealpower.com  
 ID: 0235004851

MADE IN CHINA

4320

**Cord Drawing**

